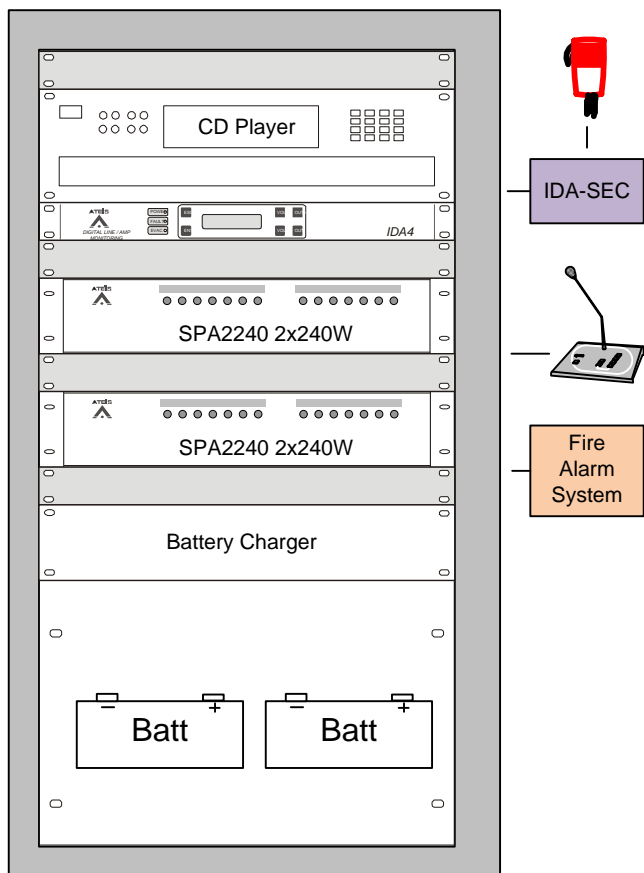
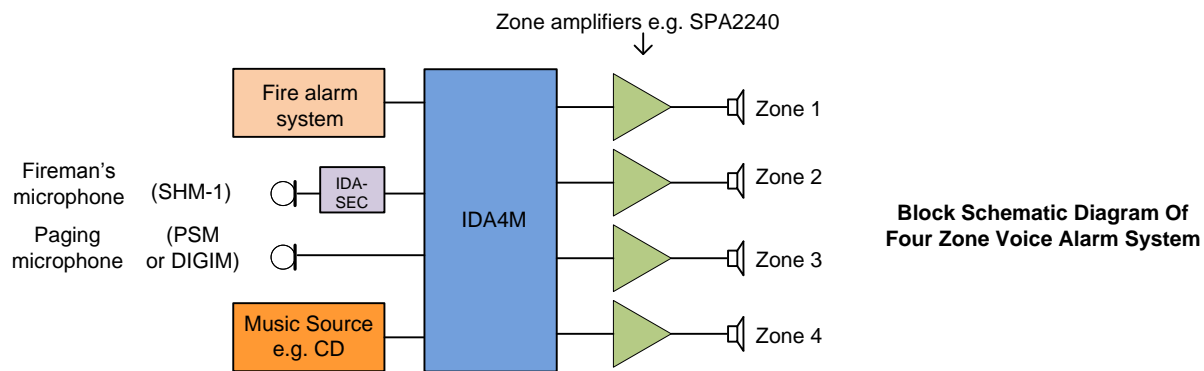


Application Example

IDA4

Introduction

This example shows the IDA4 controller in a four zone Voice Alarm configuration, compliant with EN60849. This configuration could be used in a small shop or office.



Typical Rack Layout

System Description

The IDA4 accepts audio inputs from the microphones and CD Player and routes them to the desired zone as selected by the microphones or the IDA4 configuration. The IDA4 also contains a digital message store, which holds emergency messages that can be triggered automatically by the fire alarm system or manually from a microphone or control panel.

The SPA2240 amplifiers contain two 240 Watt amplifiers per unit. In this illustration, there are four amplifiers in total to serve the four zones. Inputs to the amplifiers are controlled by the IDA4. Note that a spare amplifier can be connected to the system in a hot-standby configuration.

The system normally operates on mains power. A standby battery set will support the system for 24 hours in standby mode and 30 minutes under full load conditions i.e. broadcasting at full volume.